

Safety instructions

Important! Before commencing installation work disconnect the main cable from the power supply - remove fuse or turn switch to "OFF"!

1. Installation should be carried out in accordance with the local safety regulations.
2. In order to prevent damage, please check walls for cables before drilling holes.
3. Please ensure that all electrical connections (even preassembled lamps) are screwed tightly or are fully inserted as good contact is essential for a long life-span at high currents. Please check for tight connections after changing or adjusting lamps. Screwed connections must be tightened after 20 minutes.
4. Please do not place objects on your system (e.g. for decorative purposes) if they were not delivered with the system.
5. The lamps get very hot when in use. Please allow lamps to cool down before touching.
6. Do not change lamps or spots when switched on.
7. System should not be enlarged with additional lamps.
8. Use of a dimmer is highly recommended. Dimmer must be compatible with type of bulb.
9. To avoid greasy fingerprints it is recommended to wear white cotton gloves when handling visible metal and glass parts.
10. For lamps supplied with an external cable. If the external flexible cable or cord of this luminaire is damaged, it shall be exclusively replaced by the manufacturer or his service agent or a similarly qualified person in order to avoid a hazard.
11. The glass used for this lamp is hand-blown. Only 1st. quality has been chosen. Air bubbles and variations in thickness and colour is normal.
12. We reserve the right to make technical alterations.

Please keep these instructions.

Fitting: G9

2025-02-04 EU



NUURA

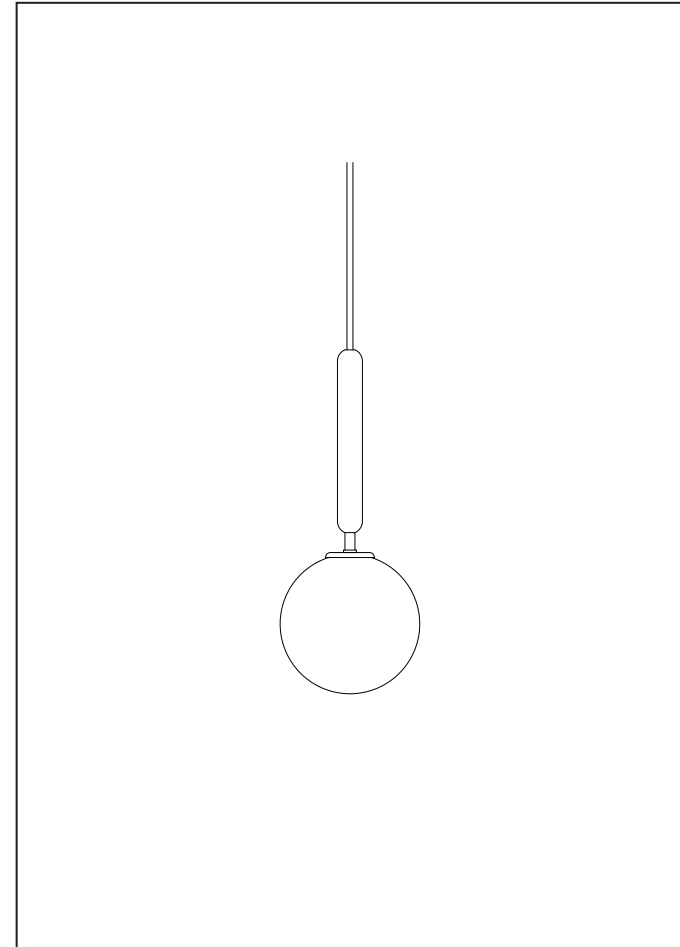
www.nuura.com
info@nuura.com

© 2018 All rights reserved



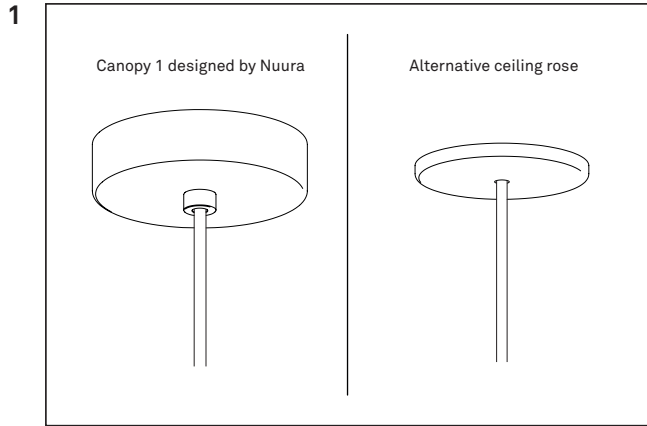
Miira 1

Assembly Instructions



NUURA

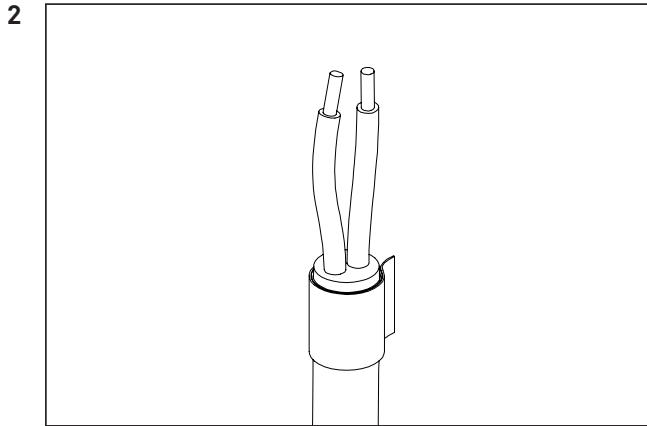
© 2018 All rights reserved



Please note: canopy is not included.

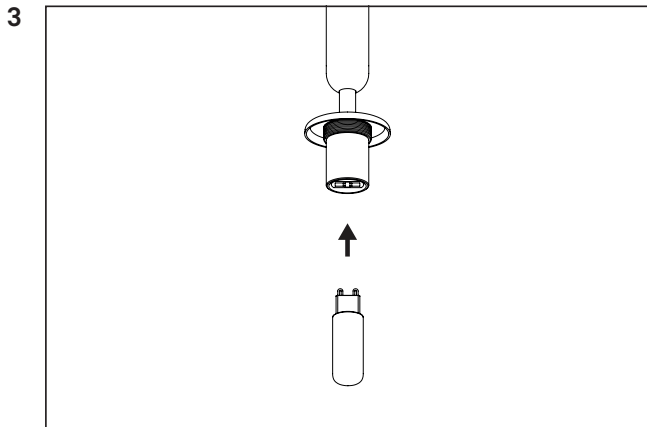
If desired, a canopy designed by Nuura can be purchased on www.nuura.com.

Alternatively install the lamp with local hardware.



Install the lamp according to the instructions following the hardware used.

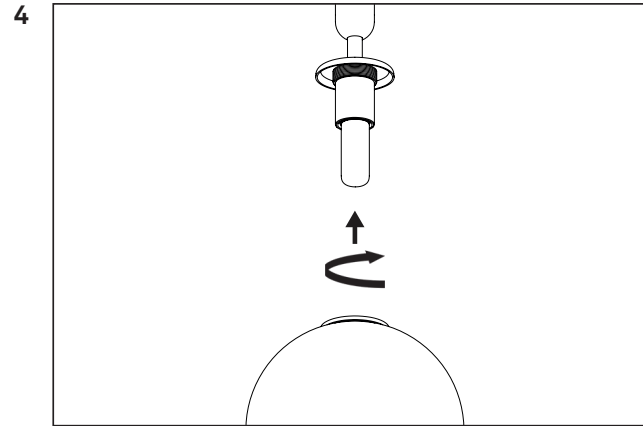
Before shortening the cable use a piece of electrical tape to prevent the fabric from fraying.



Insert a G9 light source into the socket. Make sure to press the light bulb all the way into the socket.

The light source is NOT included.

A recommended light bulb can be found on www.nuura.com



Carefully place the glass globe over the light bulb. Turn clockwise to attach the glass globe.

IMPORTANT: Do NOT over-tighten, the glass may fracture.